



MINI FORKLIFT

STANDARD ELECTRIC 3 WHEEL MINI
3,000LBS

AC

FEATURES

Capacity

- 3,000lbs

Weight

- with battery
5,742 lbs

Travel Speed

- 3.7 mph

Battery

- 24V / 320AH

Tires/Wheels

- Front: Pneumatic
- Back: polyurethane
- Vertical drive wheel offers easy maintenance

Powertrain/Electrical

- AC Drive Motor / DC Hydraulic Lifting Motor
- Quality German engineered drive axle
- Less heat production
- Side unload battery for battery removal / exchange
- Emergency power cut off
- Rear wheel drive
- Easily maintained controller and steering potentiometer
- Standard headlight, brake & turn signals, and strobe light

Controls

- Curtis fully programmable control system
- Hydraulic Steering
- Control lever position is ergonomically designed to reduce driver fatigue
- Low & high gear ratios for grade vs. level applications
- High performance multi-function instrumentation with LED light and display functions
- Back-up alarm
- Integrated light switch and forward/reverse shifter
- Parking brake

* For use on flat grade surfaces only.

Do not use on ramps or
grades exceeding 5%



The FBT15 Mini will revolutionize your factory, warehouse or indoor worksite with the ability to go from one end of your facility to the other, and deliver materials right to the production line or workstation, without weight, height or width restrictions.

FBT15-MINI

Frame

- A wider German engineered mast, allowing for better visibility
- Length 68.5" (without forks)
- Width 41.3"
- Height 78.0"
- Turning radius 60.2"
- Easily accessible cab
- Adjustable steering wheel and seat
- Overhead guard
- Seatbelt
- Excellent ramp/grade performance
- Low center of gravity offers increased stability

Options

- Customizable fork lengths and widths
- Lifting heights
- Up to 196.0" lift
- Truckers mast available
- Side shift optional

Other

- Meets or exceeds ANSI B56.1 and CAN/CSA B335 Standards



Meets or exceeds ASME B56.1 and CSA B335 Standards. Specifications are subject to change without notice.

Rev 10/2016

www.starkeforklift.com • 1-877-435-4352 • sales@starkeforklift.com



The FBT15 has a wider wheel base to manage the higher lifting capacities and the lifting motor power has also been increased in the FBT15.

The overall dimensions of the FBT15 extend beyond the original Mini's spec's, but the unit is still much smaller and more maneuverable than other electric forklifts which offer a similar lifting capacity.

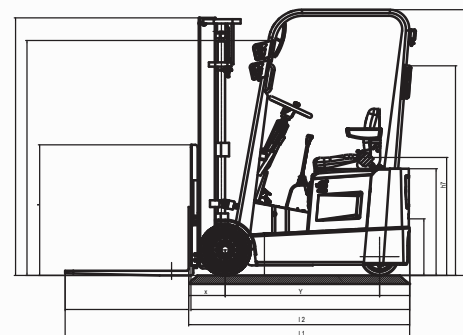


			FBT15-MINI
Characteristics	Load capacity	(Q) LBS	3000
	Drive / Operation type	Type	Rear Wheel Drive/Seated
	Load centre distance	(c) IN	24
	Wheel number, front/rear (x = driving wheel)	#	2/1x
	Tread, front	(b10) IN	35.9
	Tread, rear	(b11) IN	0.0
	Wheels	Front Type	Polyurethane
	Wheels	Rear Type	Polyurethane
	Wheel dimension, front		16x6-8 305x140
Wheel dimension, rear		280x100/PU	
Dimensions	Wheelbase	(y) IN	52.3
	Max. lift height	(h3) IN	196.0
	Mast Height Lowered	(h10) IN	78.0
	Overhead guard height (cabin)	(h6) IN	78.0
	Seat/stand height	(h7) IN	35.4
	Ground Clearance	(h2) IN	2.8
	Overall length without forks	(m2) IN	68.5
	Overall width	(l2) IN	41.3
	Fork carriage width	(b1) IN	35.8
	Fork dimension	(b3) IN	1.4 x 3.9 x 36.2*
	Aisle width, with pallet 39"x47" crosswise	(s/e/l) IN	121.3
	Aisle width, with pallet 32"x47" lengthwise	(Ast) IN	126.0
	Turning radius	(Ast) IN	60.2
Battery weight	(Wa) IN	792	
Battery dimensions	LBS	32.0 x 22.0 x 13.8	
Performance	Service weight (with battery)	LBS	5742
	Traveling speed, laden/unladen	MPH	3.4 / 3.7
	Lifting speed, laden/unladen	IN/S	3.9 - 4.7 / 5.9
	Lowering speed, laden/ unladen	IN/S	7.9 / 15.7
Driving System	Max. gradeability, laden/unladen	%	10 / 12
	Battery voltage/rated capacity	v/Ah	24 / 320
	Driving motor power	HP	2.9
	Lifting motor power	HP	2.9
	Drive control	Type	AC

Application:

Perfect for indoor applications where size matters; the Mini Forklift has an impressive turning radius and is also suitable for construction projects where a light-weight portable lift is required.

* For use on flat grade surfaces only. Do not use on ramps or grades exceeding 5%



* Custom fork lengths and widths available.

** All factory specifications are subject to change without notice.

